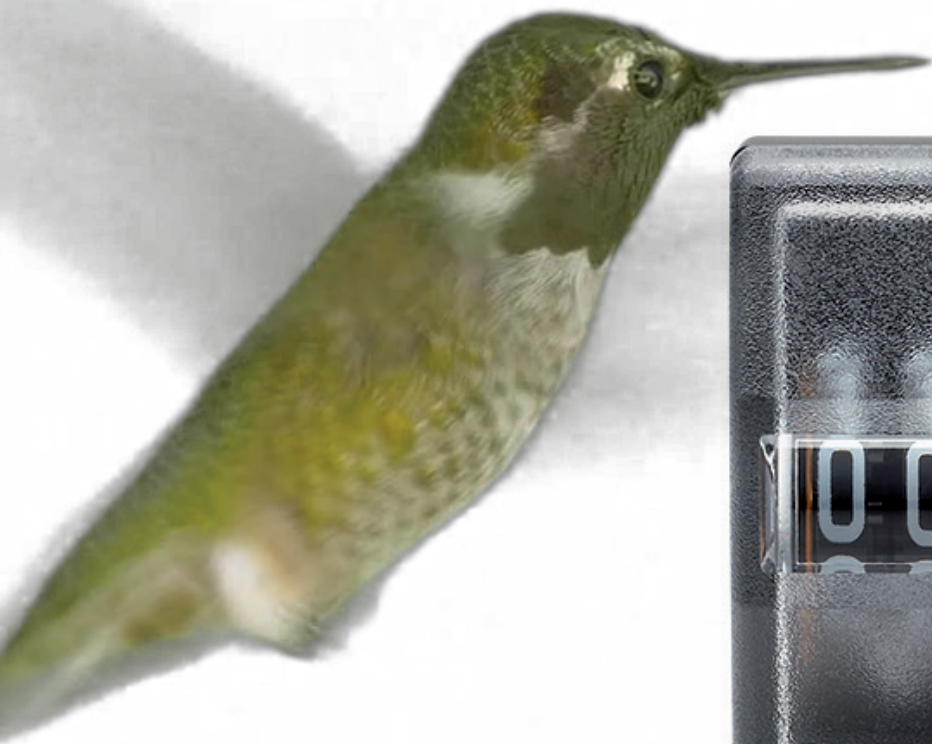


# Colibri

# 490

Reliable and robust totalizing counter



---

**HENGSTLER**

● BEYOND THE STANDARD

for those for whom  
**durability**  
is **vital**

## Colibri 490

**Condition monitoring during manufacturing with the Colibri 490.**

**High precision is required when manufacturing cable lugs because their dimensions are defined by international standards. Therefore, the punching tools used for this must also be extremely accurate. The Hengstler mechanical totalizing counter Colibri 490 ensures continuous condition monitoring of the tools in order to detect wear and tear at an early stage.**

The totalizing counter registers each individual punching operation and always displays the total number of all operations. The counter is driven without contact through a magnetic field and is resistant to dust and dirt - this is an advantage during punching, but also during the pump operation, clamping operations or when counting bags in automatic filling systems.

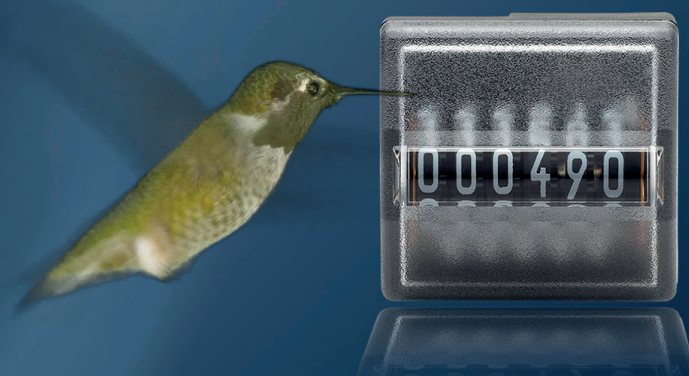
The counter is resistant to shocks up to 20g and works perfectly even in the case of vibrations up to 2g at 150Hz. Neither strong jets of water nor extreme temperatures between -10 °C

and +50 °C can affect it. Due to its maintenance-free operation, its long service life, high counting frequency and very compact design, the Colibri can be used in a wide range of applications.

The assembly and operation of the counter is straightforward and a 6 to 7 digit display with 4mm-high figures provides good visibility. The Colibri 490 can be attached not only directly to the tool, but also to other devices or a machine door. Due to its mechanical functionality, the counter is also ideally suited to all applications that operate without electricity.



for those of you  
**counting** on  
productivity

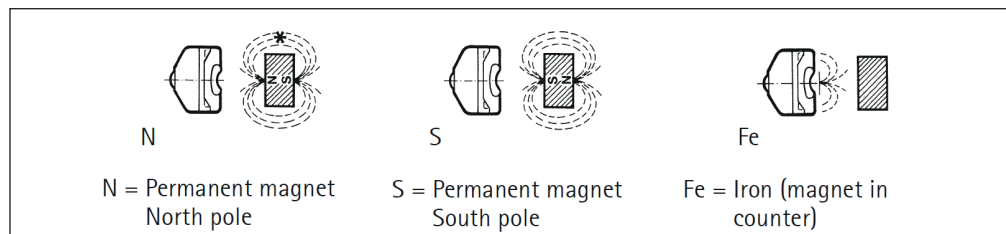


# Technical Datasheet

## Magnetic actuation

- > Contactless counting
- > Miniature size
- > Simple installation
- > Protection class IP 65
- > Maintenance-free operation

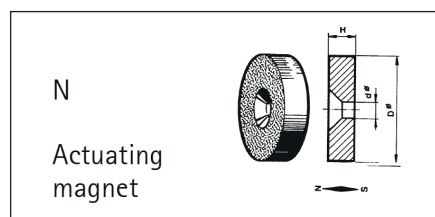
The counter is actuated by a magnetic field. With suitable magnets it is possible to achieve actuating distances of up to 50 mm. The direction of approach of the actuating magnet is not critical. When choosing a counter, it is important to observe the correct polarity of the actuator (see Figure).



## Technical data

Display	6 or 7-digit, depending on version
Digit height	4 mm, visual
Operating temperature	- 10 ... + 50 °C
Storage temperature	- 40 ... + 60 °C
Mounting	depending on version
Mounting position	any
Protection class (DIN 4050)	IP 65
Vibrostability	20 m/s <sup>2</sup> (10...150 Hz) acc. to IEC 068-2-6
Shock stability	2.000 m/s <sup>2</sup> (3 ms) acc. to IEC 068-2-27
Maintenance-free operation	10 million increments
Case	Makrolon
Weight	approx. 12 g
Counting mode	adding
Actuation	with conventional permanent magnets
Actuating distance	Fe-version 0.5 mm N and S magnets see order information
Response flux density	>10 mT (100 Gauss)
Release flux density	< 4 mT (40 Gauss)
Actuating speed	2 m/s
Counting frequency max.	20 digits/s
Reset	none

## Actuating magnets



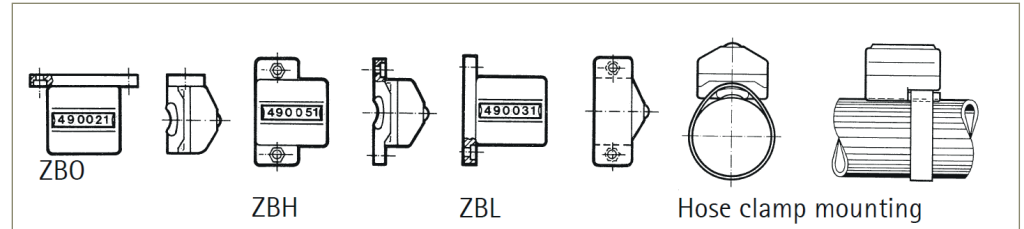
We supply suitable magnets for actuating this counter.  
For mounting the magnet via its center hole only screws made of non-magnetic material may be used.

## Dimensions of actuating magnets

Ordering code	D	d	H
3 532 023	15,2 mm	3,2 mm	6 mm
3 532 024	31,0 mm	5,3 mm	15 mm

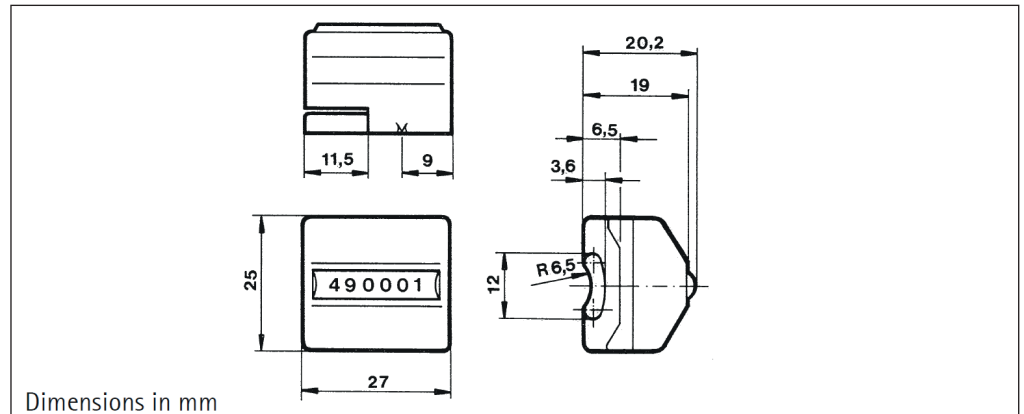
## Attachments

"Colibri" is available for several means of attachment:



ZOB = Counter without attachment plate  
 ZBO = Counter with attachment plate top  
 ZBL = Counter with attachment plate left  
 ZBH = Counter with attachment plate

## Dimensions



## Order Information

	Ordering code	Ordering code	Ordering code
Counter w/o attachment	North pole	South pole	Fe
6-digit	0 490 001	0 490 002	0 490 003
7-digit	0 490 004	0 490 005	0 490 006

## Accessories

Attachment plates	ZBO	ZBL	ZBH
	2 490 011	2 490 012	2 490 005
Hose clamps	20 ... 32 mm	25 ... 40 mm	40 ... 60 mm
	3 515 055	3 515 056*	3 515 057
	Distance 10 mm	Distance 30 mm	Magnetic plate 6 mm
	3 532 023	3 532 024*	3 532 025*

## Actuating magnets (North pole)

# HENGSTLER

Uhlandstr. 49 | D-78554 Aldingen | Phone +49 (0) 7424-89-0 | info@hengstler.com | www.hengstler.com